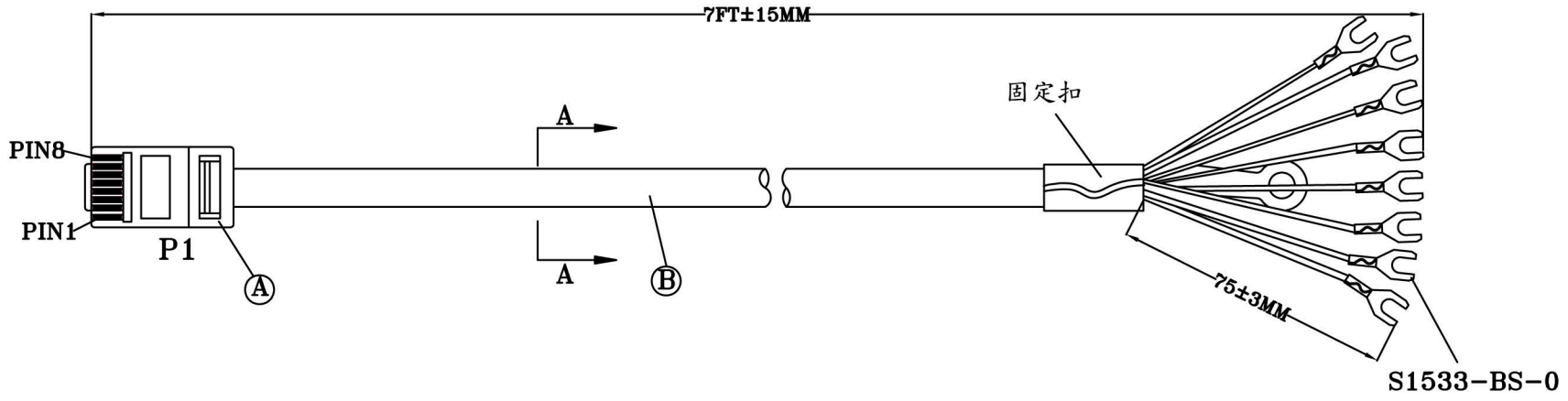
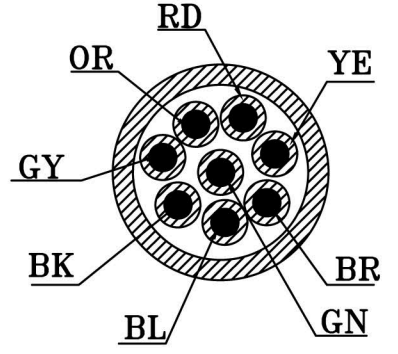
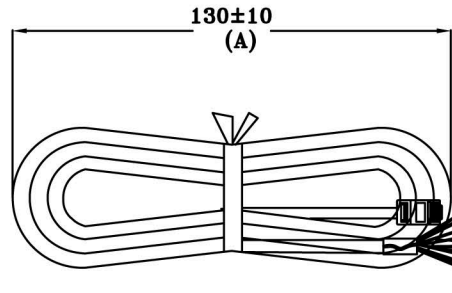


LW-R-06 A/0



| P1 | | |
|----|---|--------|
| 1 | — | GREY |
| 2 | — | ORANGE |
| 3 | — | BLACK |
| 4 | — | RED |
| 5 | — | GREEN |
| 6 | — | YELLOW |
| 7 | — | BLUE |
| 8 | — | BROWN |



| | | | | | |
|---|---------|---|--------|------|-----|
| B | CABLE | ROUND CABLE 8C 28AWG 7/0.12 UL20251 PVC+PP. SILVER (GREEN PART) | | PCS | 1 |
| A | PLUG | MODULAR PLUG 8P8C 50U" (GREEN PART) | | PCS | 1 |
| A | ITEM NO | DESCRIPTION | VENDER | UNIT | QTY |