

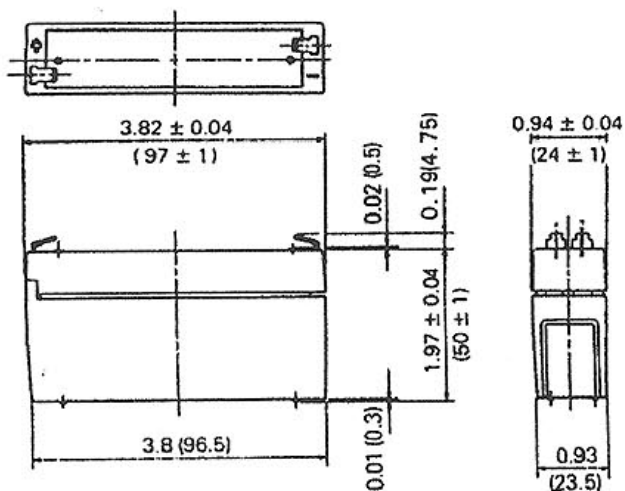
NP 1.2-6



Specifications

Normal Voltage:	6V	
Rated Capacity(20hr rate):	1.2 Ah	
Weight:	Approx. 0.70lbs (320g)	
Dimensions:	total height (with terminals) height length width	2.24" (57mm) 2.01" (51mm) 3.82" (97mm) 0.94" (24mm)

Unit: inch (mm)

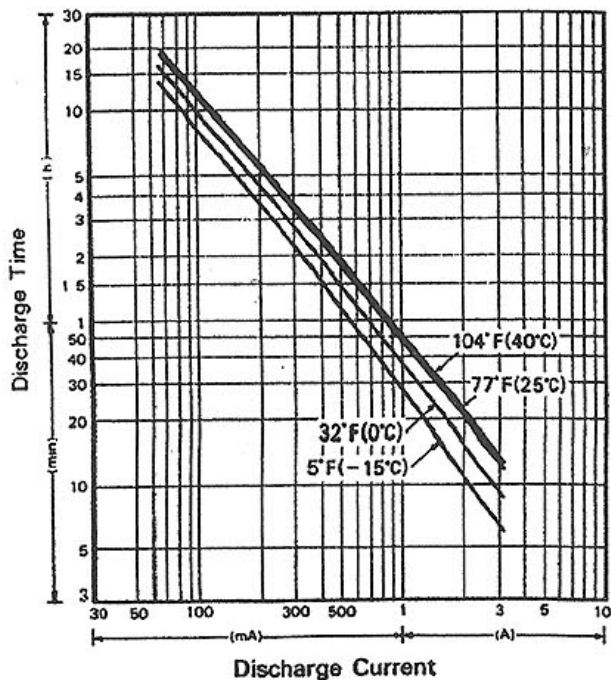


Characteristics

Capacity*: 77°F (25°C)	20hr rate (80 mA) 10hr rate (110 mA) 5hr rate (210 mA) 1hr rate (850 mA)	1.2 Ah 1.1 Ah 1.05 Ah 0.85 Ah
	1.5hr discharge to 5.25 V	0.51 A
Internal Resistance:	full charged battery 77°F (25°C)	48 mΩ
Capacity affected by temp.: (20hr rate)	104°F (40°C) 77°F (25°C) 32°F (0°C) 5°F (-15°C)	102% 100% 85% 65%
Self-Discharge 77°F (25°C)	capacity after 3 month storage capacity after 6 month storage capacity after 12 month storage	90% 83% 63%
Charge (constant voltage):	cycle	initial charging current less than 0.52 A voltage 7.25~7.45 V/6V 77°F (25°C)
	stand-by	voltage 6.8~6.9 V/6V 77°F (25°C)

*The below data are average values, and can be obtained within 3 charge/discharge cycles. These are not minimum values.

Discharging Current & Discharge Duration Time*



Discharge curves 77°F (25°C)*

