

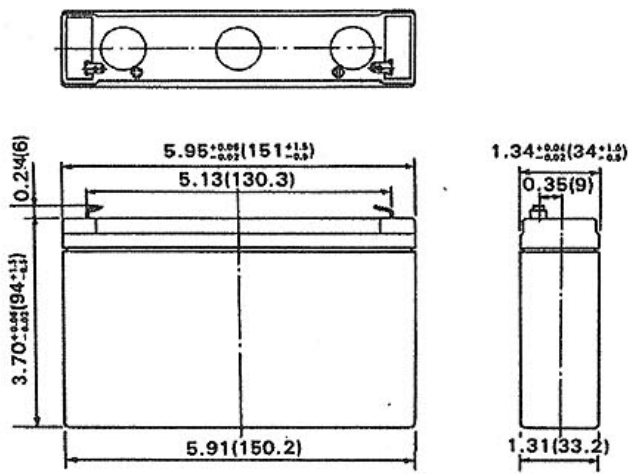
# NP 7-6



## Specifications

Normal Voltage:	6V	
Rated Capacity (20hr rate):	7.5 Ah	
Weight:	Approx. 2.82lbs (1280g)	
Dimensions:	total height (with terminals) height length width	3.94" (100mm) 3.70" (94mm) 5.95" (151mm) 1.34" (34mm)

Unit: inch (mm)

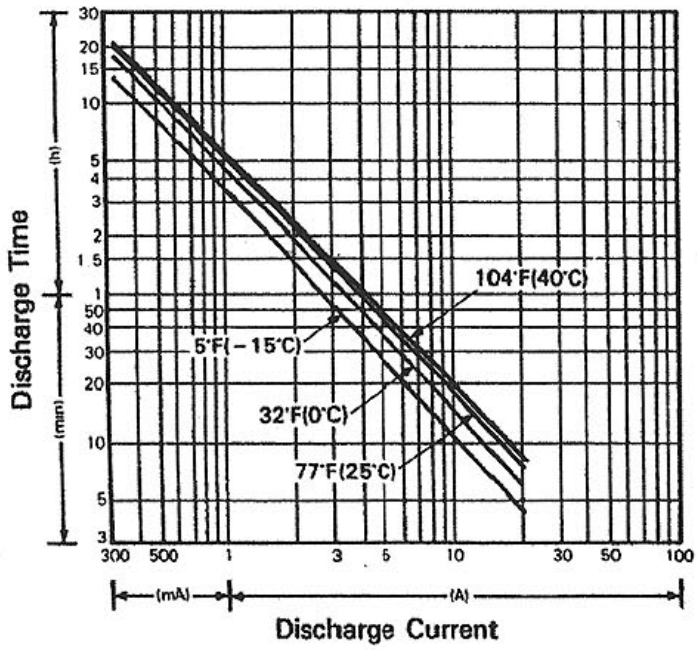


## Characteristics

Capacity*: 77°F (25°C)	20hr rate (375 mA)	7.5 Ah
	10hr rate (580 mA)	5.8 Ah
	5hr rate (1040 mA)	5.2 Ah
	1hr rate (4000 mA)	4.0 Ah
	1.5hr discharge to 5.25 V	2.9A
Internal Resistance:	full charged battery 77°F (25°C)	20 mΩ
Capacity affected by temp.: (20hr rate)	104°F (40°C) 77°F (25°C) 32°F (0°C) 5°F (-15°C)	102% 100% 85% 65%
Self-Discharge 77°F (25°C)	capacity after 3 month storage capacity after 6 month storage capacity after 12 month storage	91% 82% 64%
Charge (constant voltage):	cycle	initial charging current less than 0.52 A voltage 7.25-7.45 V/6V 77°F (25°C)
	stand-by	voltage 6.8-6.9 V/6V 77°F (25°C)

\*The below data are average values, and can be obtained within 3 charge/discharge cycles. These are not minimum values.

### Discharging Current & Discharge Duration Time\*



### Discharge curves 77°F (25°C)\*

