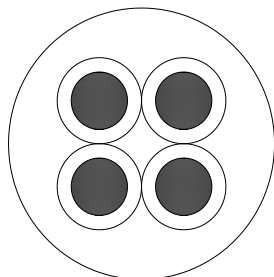


Product Specifications

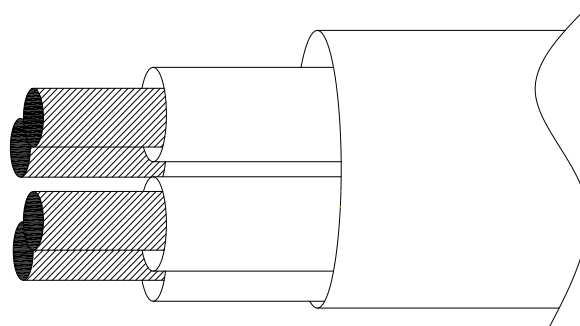
Construction & Material :

Item	Unit	Specification
Product		Z-WIRE×4C
Conductor	Size	AWG 22
	Number	C 4
	Material	Solid Bare Copper Wire
	Construction	pcs / mm 1/0.58±0.01
	Diameter	mm 0.580
Insulation	Material	HD-PE
	Min.thickness	mm 0.145
	Avg.thickness	mm 0.158
	Diameter	mm 0.90±0.05
	Color	Red×Blue×Yellow×Black
Twisting	Construction	See Cross-Section
Cabling	Construction	See Cross-Section
Jacket	Material	PVC
	Min.thickness	mm 0.65
	Avg.thickness	mm 0.85
	Overall Diameter	mm 3.6±0.3
	Color	Blue (ULC-310)
Black Marking	TYPE CMR 60°C (UL) E188630 22AWG CSA LL81295 CMG 60°C FT4 EVERNEW + Batch Number + Feet Marking	

Cross - Section View :



Conductor
Insulation
Jacket



Conductor Insulation Jacket