

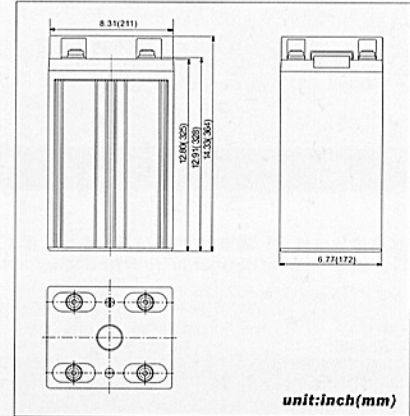
恒力牌UXL系列电池诸特性 **UXL Series Battery Characteristics**

规格 SPECIFICATIONS

电池型号 Model	额定电压 (V) Specified Voltage	10小时率容量 Rated(Ah) Capacity (10hr rate)	外形尺寸 (mm) Approx. Dimensions			
			长 Length	宽 Width	高 Height	含端子高度 Overall height including terminals
UXL450-2	2	450	211	172	325	364

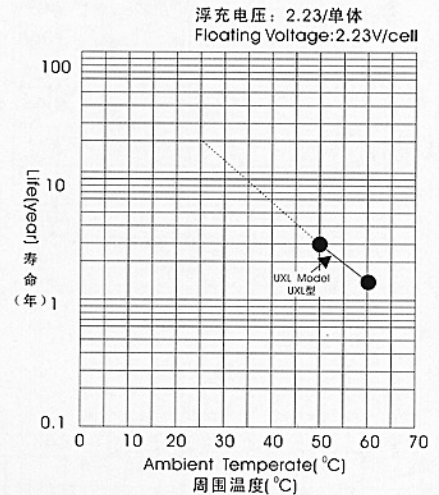
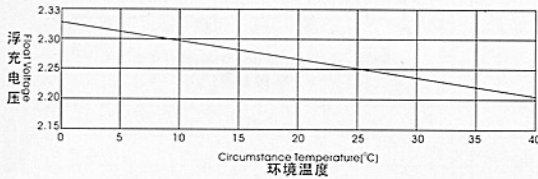
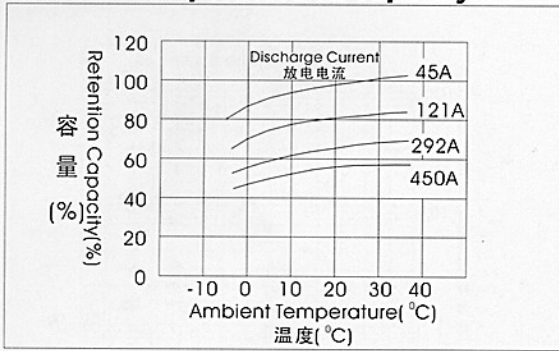
定电流放电性能: 温度25°C (77°F) 终止电压为1.80V
 Constant Current discharge performance: Temperature :25°C (77°F), Final discharge Voltage: 1.80V

型号 Model	时间 Time	1 min	5 min	10 min	15 min	30 min	45 min	1 h	2 h	3 h	5 h	8 h	10 h	12 h	24 h
UXL450-2		900	804	683	584	425	334	271	164	122	805	53	45	38	20.5



The relation between UXL battery float service life and temperature
 UXL型蓄电池温度和浮充寿命

温度及放电容量 Effect of Temperature on Capacity



各率放电特性 Discharge Curves for various rated capacity

